

Smart Keyless Bluetooth Keypad Door Lock SL-BD19



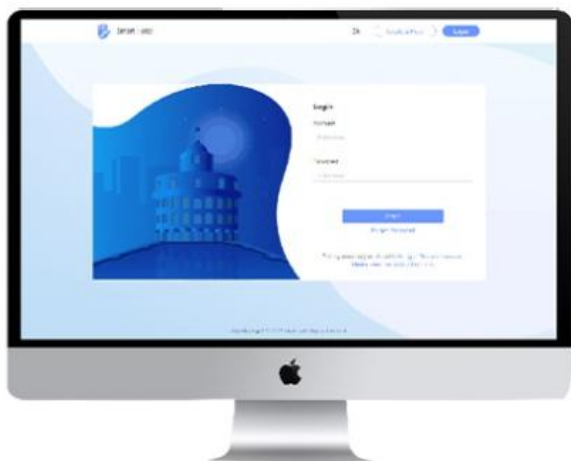
1, Features:

- Product material: Zinc Alloy + Electroplate
- Unlocking method: APP Ble, aging password, RFID card, NFC card, key
- Appearance Process: Baking Varnish + UV
- System function: APP management/time-effective password/record query
- Applicable door type: wooden door, anti-theft door
- Password length: 6-8 bits/support 16-bit false password
- BLE distance: within 5 meters of BLE
- Offer Mobile App, Browser app and PC software
- Can be controlled using the smart application and our mobile app
- Can generate a time-limited password, limited period password and Bluetooth key with our application for your guest.
- Can send the password to your guest remotely via WhatsApp, FB messages in our mobile application.
- Can set room card for each lock
- Can operation and control the lock remote after connect with WIFI
- Special designed and used for villas, apartments and airbnb rooms.

2, Specification:

Material	Inner steel plate Outer Zinc Alloy + Electroplate
Mortise	240x24 Standard Lock Mortise
Door Type	Glassdoor, Wood door, Steel door, Stainless Steel door, Aluminum door, Brass door, anti-theft door
Cylinder level	C level Blade lock cylinder
Power supply	6V (4x AA batteries)
Unlock method	App, Password, RFID Mifare card, key,
Password count	5 consecutive errors and lock password after alarm
Password length	6-8 bits / 16 bits false password
Standby time	13 months (15 switches per day)
Application:	hotel / school / office/apartment, etc.
Distance	BT within 5 meters, Card 0-3cm
Door thickness:	35-120mm
Network	WIFI, Bluetooth
Software	Mobile APP, PC software
OS	Windows XP/Vista/Andriod/IOS
Low power alarm	Low power lamp alarm
Card capacity	200
Password capacity	unlimited
Working Temperature	-20°C-55°C
Working Humidity	20%-70%
System function	full voice broadcast/support Chinese and English switching
Backup unlock mechanism	Mechanical Key, USB power bank
Dimension (L*W)	358x70x28
Weight:	4KG
Products include	front panel * 1 / rear panel * 1 / lock * 1 / Accessory Package * 1 / card * 3 / key * 2 / 5 battery * 4 / specification * 1
Battery life	support 5000 lockout unlocking operation

3, Software

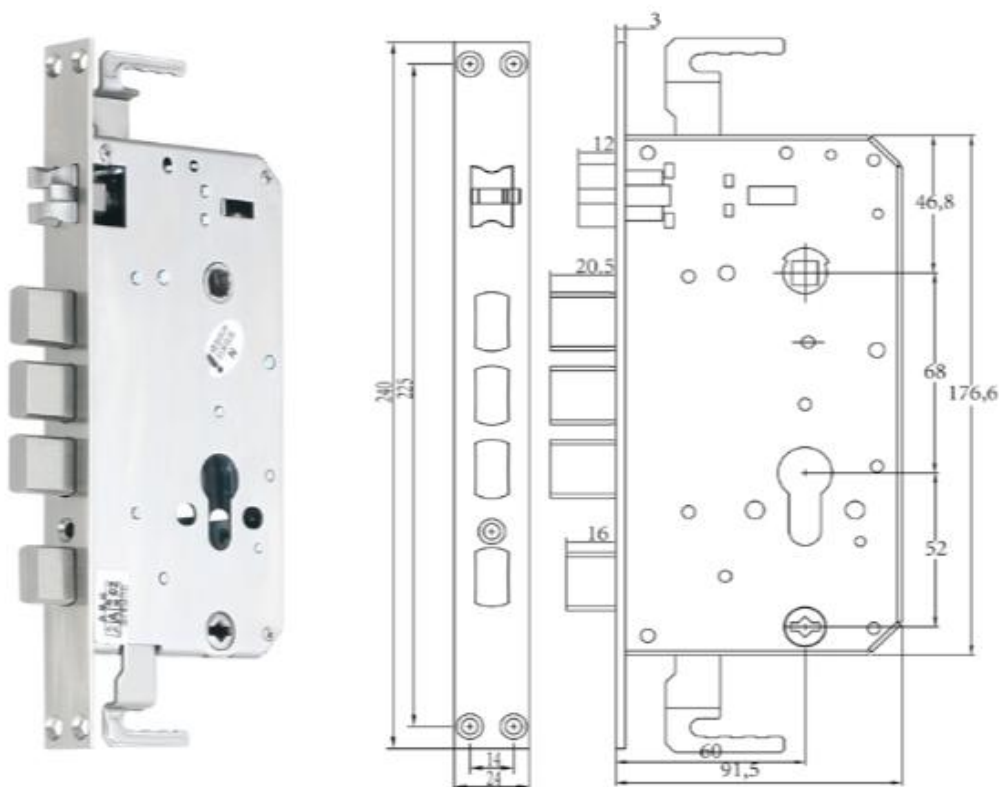


PC-side System



Smart Hotel APP

4, Lock Mortise:



5, Installation Drawing

