

## Keypad Bluetooth Smart Lock With App SL-BD2&D3



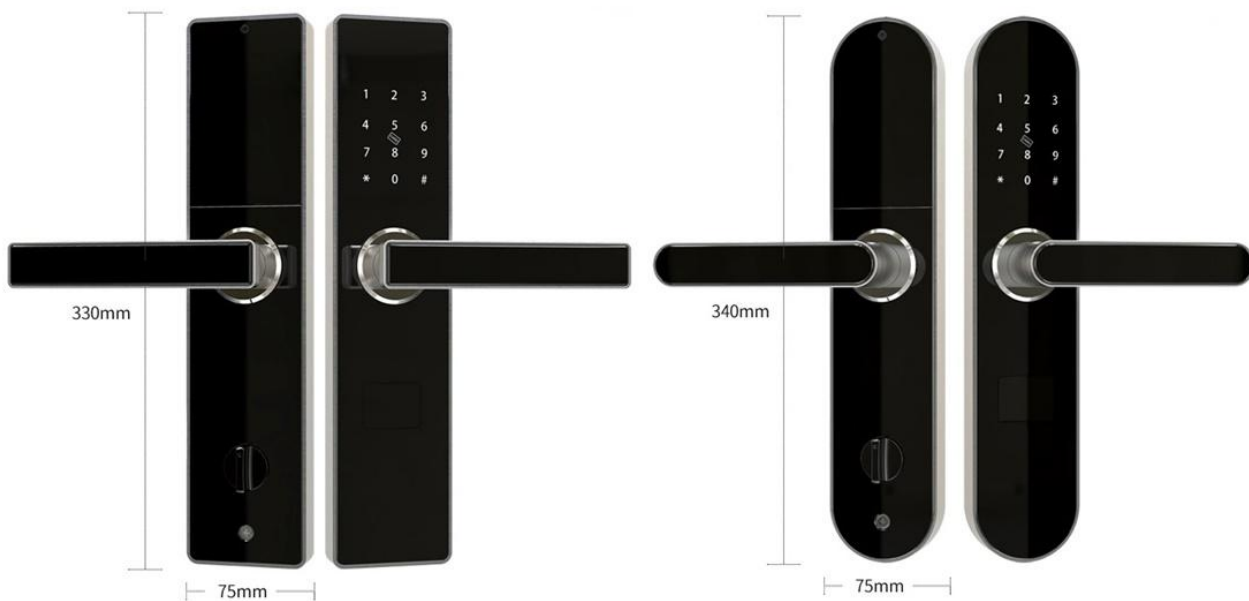
### 1, Features:

- Certification:CE,FCC,Rohs
- Service: Logo Printing, 1-year warranty
- Product material: SUS 304 Drawbench Electroplate
- Unlocking method: APP Ble, aging password, RFID card, NFC card, key
- Appearance Process: Baking Varnish + UV
- System function:APP management/time-effective password/record query
- Applicable door type: wooden door, anti-theft door
- Password length:6-8 bits/support 16-bit false password
- BLE distance: within 5 meters of BLE
- Offer Mobile App, Browser app and PC software
- Can be controlled using the smart application and our mobile app
- Can generate a time-limited password, limited period password and Bluetooth key with our application for your guest.
- Can send the password to your guest remotely via WhatsApp, FB messages in our mobile application.
- Can set room card for each lock
- Can operation and control the lock remote after connect with WIFI
- Special designed and used for villas, apartments and airbnb rooms.

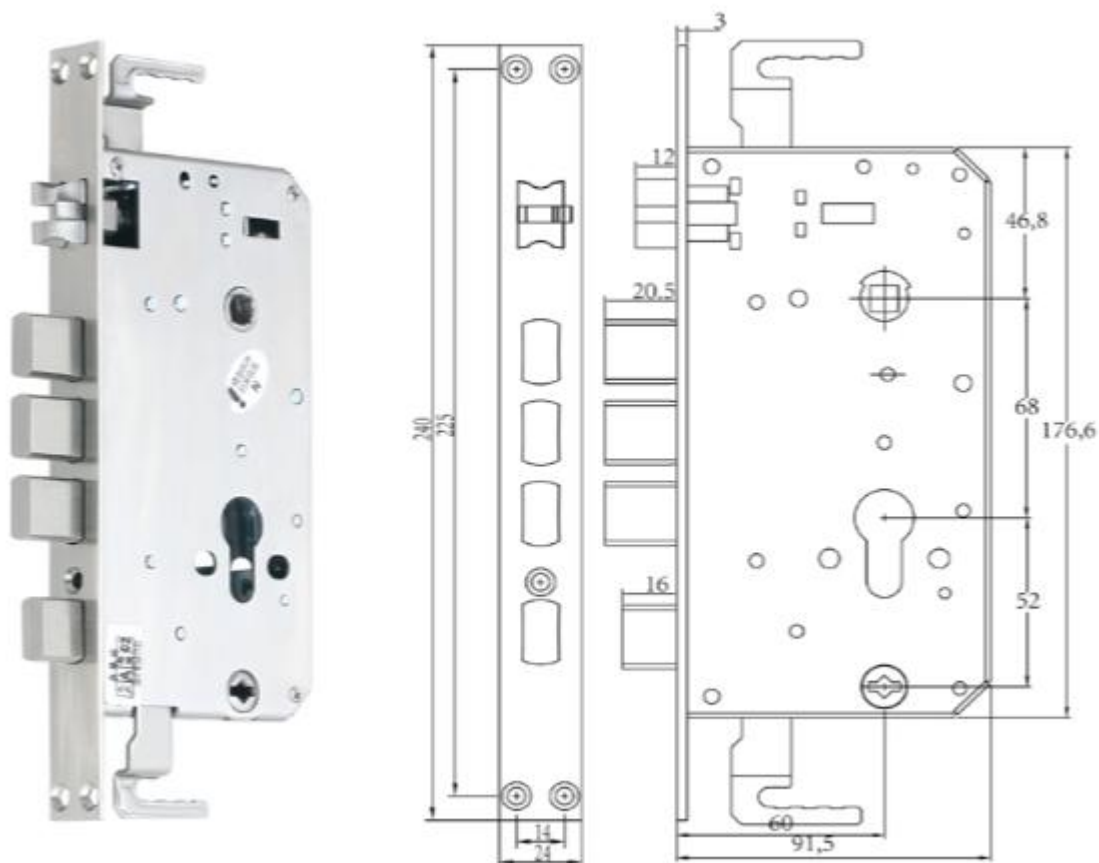
## 2, Specification:

<b>Material</b>	Inner steel plate Outer SUS 304 Drawbench Electroplate
<b>Mortise</b>	240x24 Standard Lock Mortise
<b>Door Type</b>	Glassdoor, Wood door, Steel door, Stainless Steel door, Aluminum door, Brass door, anti-theft door
<b>Cylinder level</b>	C level Blade lock cylinder
<b>Power supply</b>	6V (4x AA batteries)
<b>Unlock method</b>	App, Password, RFID Mifare card, key,
<b>Password count</b>	5 consecutive errors and lock password after alarm
<b>Password length</b>	6-8 bits / 16 bits false password
<b>Standby time</b>	13 months (15 switches per day)
<b>Application:</b>	hotel / school / office/apartment, etc.
<b>Distance</b>	BT within 5 meters, Card 0-3cm
<b>Door thickness:</b>	35-110mm
<b>Network</b>	WIFI, Bluetooth
<b>Software</b>	Mobile APP, PC software
<b>OS</b>	Windows XP/Vista/Andriod/IOS
<b>Low power alarm</b>	Low power lamp alarm
<b>Card capacity</b>	200
<b>Password capacity</b>	unlimited
<b>Working Temperature</b>	-20°C-55°C
<b>Working Humidity</b>	20%-70%
<b>System function</b>	full voice broadcast/support Chinese and English switching
<b>Backup unlock mechanism</b>	Mechanical Key, USB power bank
<b>Dimension (L*W)</b>	HD2: 330x75x20mm; HD3: 340x70x20
<b>Weight:</b>	3.5KG
<b>Products include</b>	front panel * 1 / rear panel * 1 / lock * 1 / Accessory Package * 1 / card * 3 / key * 2 / 5 battery * 4 / specification * 1
<b>Battery life</b>	support 5000 lockout unlocking operation

### 3, Size



### 4, Lock Mortise:



## 5, Installation Drawing

