

RFID Lever Handle Split Hotel Key Card Lock SL-H2019



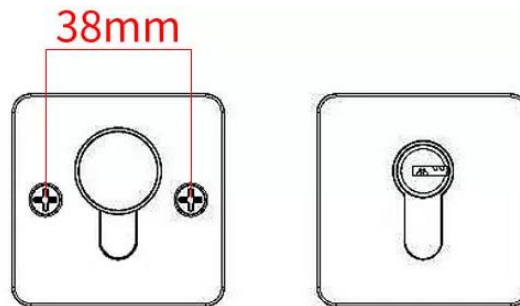
1, Features:

- European style, noble, zinc alloy material, to ensure that the door lock is more durable;
- The United States standard 5 lock tongue structure lock core, hierarchical management;
- Triple mute lock body;
- The motherboard supports anti-interference and error correction functions;
- Lock information will not be lost when power is off;
- A clock internal lock controls the use time of the key card;
- Anti-static support;
- Low voltage alarm;
- Suitable for door thickness 30-55mm
- Warranty:1 years

2, Specification:

Material	Inner steel plate Outer Zinc Alloy
Mortise	U.S Mortise with 5 Latches 60*72mm&60*85mm Kirsite
Door Type	Wooden door, composite door
Power supply	6V (4x AA batteries)
Unlock method	swipe + key,
Low voltage worming	Yes
Card reading distance	0-5cm
Color:	gray / gold / silver
Application:	hotel / school / office/apartment, etc.
Door thickness:	30-55mm
Software	Yes
Type	Hotel management software
OS	Windows XP/Vista
Card Type	Mifare Card/ T555 / EM430 / apartment ID board
Card reader	Hotel lock encoder
Environment & Verification	
Working Temperature	-20°C-60°C
Working Humidity	15%-95%
Backup unlock mechanism	Mechanical Key
Dimension (L*W)	140x60x10mm
Warranty:	2 year
Weight:	1.8KG
Battery life	support 5000 lockout unlocking operation

3, Size:



4, Lock Mortise:

