

RFID Entry Hotel Door Locks for Broken Bridge Aluminum SL-H1018



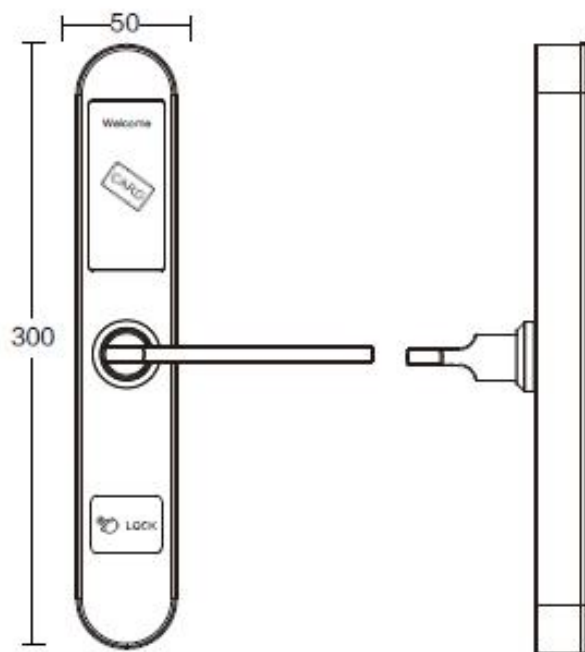
1, Features:

- Small and exquisite classic style
- Intelligent card swipe lock for Broken Bridge Aluminum Hotel.
- Certification:CE,FCC,Rohs
- Identification:Magnetic card
- Material:304 stainless steel
- Unlock way: swipe card
- Suitable for Door thickness:30-55mm
- Working voltage: Low Power Alarm
- Application: hotels, schools, offices, etc.
- Lock core grade: full copper lock core

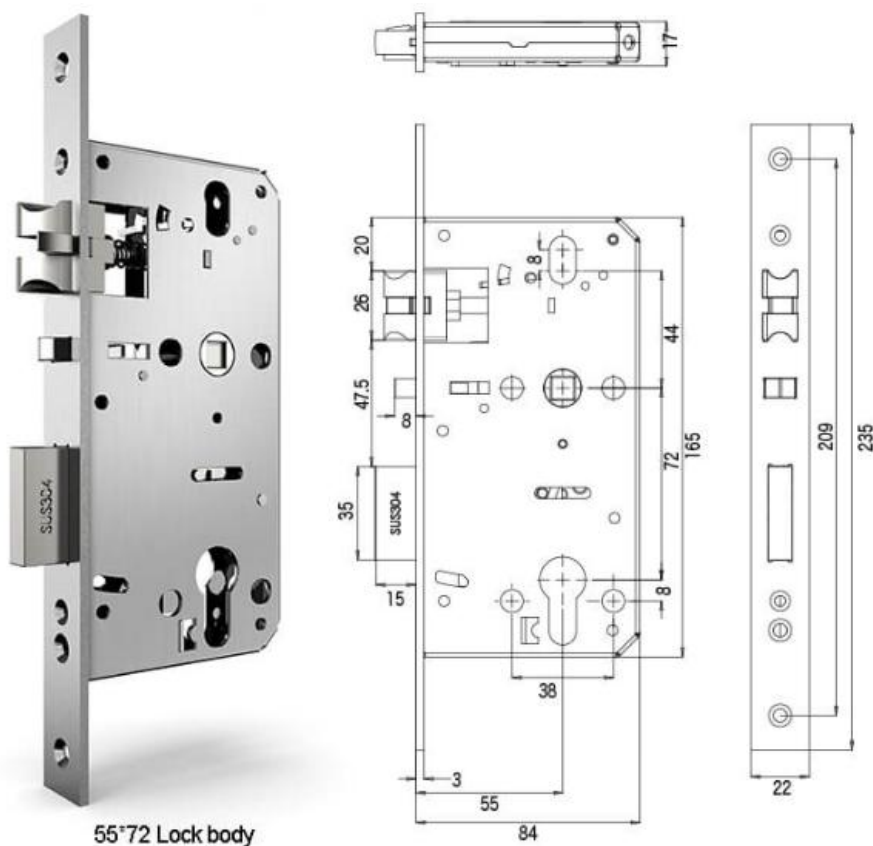
2, Specification:

Material	Inner steel plate Outer 304 stainless steel
Door Type	Broken Bridge Aluminum door, Wooden door, composite door
Power supply	Four LR6 alkaline batteries
Unlock method	swipe + key
Low voltage worming	Yes
Card reading distance	less than 3CM
Color:	silver, black, red, gold
Application:	hotel / school / office/apartment, etc.
Door thickness:	30-55mm
Software	Yes
Type	Hotel management software
OS	Windows XP/Vista
Card Type	Mifare Card/ T555 / EM430 / apartment ID board
Card reader	Hotel lock encoder
Environment & Verification	
Working Temperature	-20°C-50°C
Working Humidity	20%-70%
Backup unlock mechanism	Mechanical Key
Dimension (L*W)	300x500x28mm
Warranty:	2 year
Weight:	3.5KG
Battery life	support 5000 lockout unlocking operation

3, Size:



4, Lock Mortise:





60*72 Lock body

